

Northville DDA Design Committee Meeting

Monday, August 12, 2019 Meeting Room A – 3:30 pm

Meeting Agenda

1. Committee Project Updates: (Attachment 1)
 - A. Newspaper Rack
 - B. Bench Sponsorships (Attachment 1.B)
 - C. Alley Improvements – Rebecca’s (Attachment 1.C)
 - D. Downtown Murals (Attachment 1.D)
 - E. Entranceway Signs
 - F. Fire Pits
2. Future Projects
 - A. Bike Racks
 - B. Cross Street Banners (Attachment 2.B)
 - C. Scroll Repair
 - D. Tile and Pavilion Repair
 - E. Wall Mounted Directory
 - F. Christmas Event
3. Prioritize Projects
4. Next Meeting – September 9, 2019
5. Adjourned



Design Committee Updates

Newspaper Racks



The newspaper racks have been installed on the east end of 120 W. Main Street. The old unit was removed and scrapped. The new rack holds 6 publications including Metro Times, Metro Parent, The Ville and several real estate publications. There seems to be a lot of use of the new racks. Commercial Grounds Services, the DDA landscape contractor, is currently preparing a design to landscape the area surrounding the racks.

Bench Sponsorship Project



The DDA and City Council have approved the creation of a sponsorship program for downtown benches and authorized the purchase of the first 10 benches. The cost of the bench sponsorship is \$2,000. The project has been promoted in the DDA's recent Newsletter and on social media. Northville Today is doing a feature on the benches in their next publication. Half of the benches are already reserved. DDA staff is working with DPW to determine the



flexibility that we have in moving current metal benches around to accommodate the preferred location for the new sponsored benches. The fabrication and delivery takes about 4-6 weeks. A suggestion was made by resident Nancy Kiri regarding the message on the benches. See Attachment.

Rebecca's Alley

A draft, perpetual easement agreement was submitted to the property owners at 134 N. Center Street (Rebecca's Restaurant). The two parties have agreed to the general terms and are awaiting corrections to the document before signing. Would the Design Committee support spending some funds at this stage of the design to prepare for future projects that could include adding foundations to accommodate an entrance arch and electrical conduit for future overhead lighting. Staff has reached out to Marc Russel to get an idea on how to proceed with this project and how much it would add to the project cost.

Downtown Mural



At a recent DDA Board meeting, members expressed support for a horse racing themed mural at Main and Centre Streets rather than a historic photo of the downtown. Suzie Cozart has developed some graphics for the program utilizing historic photos of racing day at the Northville Downs. The DDA is beginning work with Bizzell Design on the Entranceway Signs and has asked Buzz to provide information regarding the cost of the original design. A Draft Easement between the City and the Property owner has been drafted by Plunkett and Cooney.



Entranceway Signs

The City Council approved a contract with Bizzell Design to being the design process for the new entranceway signs. The DDA approved the branding project with Bizzell and would like to coordinate the two projects to save time, money and travel. The Design Committee has agreed to provide guidance and feedback on the project. DDA staff spoke to Bizzell and he will provide a schedule to begin the process.

Fire Pits

The Design Committee has reviewed a design proposal from Ore. The fire pits look similar to the existing fire pits but only weigh 55 pounds so, would be easier to handle. The fire pits come in a variety of finishes, and has the glass cylinder wind-break. The units could include either remote start or timed on/off, and includes an emergency off button. This would allow the DDA to program the fire pits to turn on and off at specific times and would be used more often. The units are approximately \$10,000 for a pair of the fire pits, plus shipping, handling and



installation. The design was presented to the DDA Board who provided feedback. They would like a taller narrower design that would discourage people from walking or climbing on the pit. What direction do we go in?

Bike Racks and Hoops



Design Committee co-Chair Suzie Cozart developed a map and flyer to get community input on the location of new bike racks in downtown Northville. The flyers ask residents and visitors to select their top choices for hoop/rack installation. The flyer will be passed out during the Tour de Ville this weekend. Information obtained through the flyer and from input from other cyclists will be used to determine how many hoops/racks should be ordered and where they should be installed. The Design Committee has already selected both the

individual hoop and the rack for purchase.



Northville Downtown Development Authority

Commemorative Bench Program

Dedicating a bench in downtown Northville is a wonderful way to support your downtown, honor a loved one or celebrate an occasion. These generous donations allow the Downtown Development Authority to provide and maintain attractive seating throughout the downtown area.

DDA Commitment

- Memorial benches are fabricated by Conceptual Site Furnishings and are the Kenton Backed Bench. The six foot long, black bench is made of cast aluminum and is powder coated to prevent rust. The bench will be mounted to the concrete. A custom-cast plaque is flush mounted in the backrest of the bench. The plaque measures 8" X 3" and can accommodate 3 lines of text with 18 characters maximum per line (including spaces). There is a limit of one plaque per bench. The text on the plaque must be approved by the City. Cost per bench is \$2,000.00.
- The DDA will maintain a list or map of locations that new benches can be installed. Bench placement is done by the DDA and is determined by users need as a priority. The DDA will do its best to accommodate your request for location, but the final location is determined by the DDA.
- Benches are installed May - October.
- The DDA will maintain the sponsored bench for 15 years and will replace the bench, in event of damage, at no cost to the donor. Depending on the condition of the bench, the bench may remain in use beyond the original 15 years or may be retired and replaced with a new bench at the DDA's discretion.
- When the bench is retired from service, the plaque will be made available to the sponsoring individual for a keepsake or private use. It is the responsibility of the sponsor to pick up the plaque from the DDA office. The original donor will have the first right of refusal to sponsor the new replacement bench.



Donor Commitment

- The donor is required to fill out the application and pay in full before the bench is ordered.
- The donor is required to keep the DDA updated on any changes in contact information in case of damage to or the replacement of benches.

If you have additional questions please contact Lori Ward at the Northville Downtown Development Authority office at **248-349-0345** or email lward@ci.northville.mi.us.

Northville Downtown Development Authority Commemorative Bench Program

Dedicating a bench in downtown Northville is a wonderful way to support your downtown, honor a loved one or celebrate an occasion. These generous donations allow the Downtown Development Authority to provide and maintain attractive seating throughout the downtown area.

DDA Commitment

- Memorial benches are fabricated by Conceptual Site Furnishings and are the Kenton Backed Bench. The six foot long, black bench is made of cast aluminum and is powder coated to prevent rust. The bench will be mounted to the concrete. A custom-cast plaque is flush mounted in the backrest of the bench. The plaque measures 8" X 3" and can accommodate 3 lines of text with 18 characters maximum per line (including spaces). There is a limit of one plaque per bench. The text on the plaque must be approved by the City. Cost per bench is \$2,000.00.
- The DDA will maintain a list or map of locations that new benches can be installed. Bench placement is done by the DDA and is determined by users need as a priority. The DDA will do its best to accommodate your request for location, but the final location is determined by the DDA.
- Benches are installed May – October.
- The DDA will maintain the sponsored bench for 15 years and will replace the bench, in event of damage, at no cost to the donor. Depending on the condition of the bench, the bench may remain in use beyond the original 15 years or may be retired and replaced with a new bench at the DDA's discretion.
- When the bench is retired from service, the plaque will be made available to the sponsoring individual for a keepsake or private use. It is the responsibility of the sponsor to pick up the plaque from the DDA office. The original donor will have the first right of refusal to sponsor the new replacement bench.

Donor Commitment

- The donor is required to fill out the application and pay in full before the bench is ordered.
- The donor is required to keep the DDA updated on any changes in contact information in case of damage to or the replacement of benches.

If you have additional questions please contact Lori Ward at the Northville Downtown Development Authority office at 248-349-0345 or email lward@ci.northville.mi.us.



Northville Downtown Development Authority
**Commemorative Bench
Application**

Donor name: _____

Donor address: _____

Address

City

State

Zip

Phone number: _____

E-mail address: _____

Name of person honored by memorial: _____

Requested plaque inscription: *(Up to three lines with 18 characters max including spaces)*

Total cost of commemorative bench due to DDA prior to order is \$2,000.00

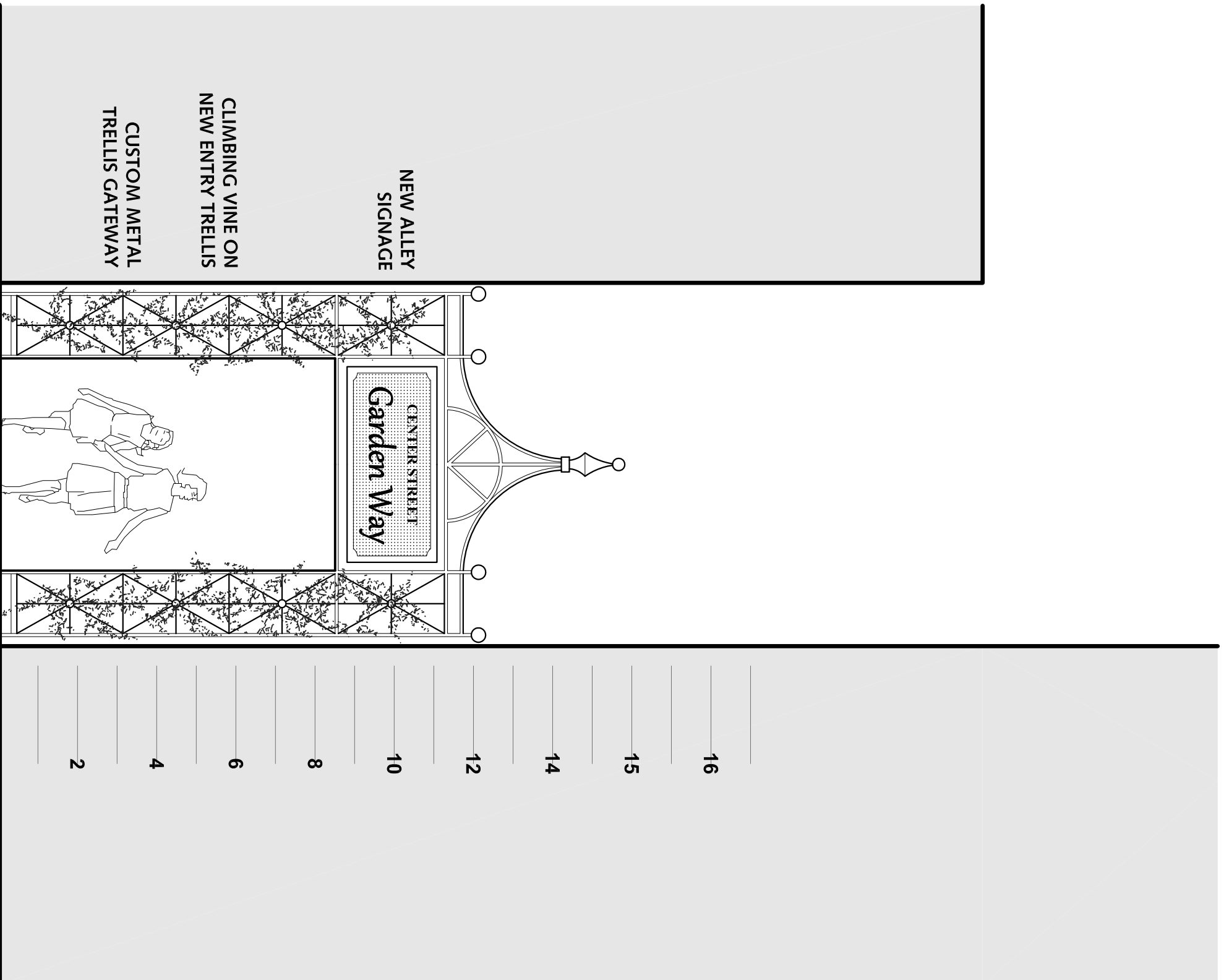
Please make checks out to: City of Northville DDA and return to 215 W. Main Street, Northville, MI 48167

My signature below states that I understand the payment is for the physical lifespan (15 years) of the bench. In addition, I understand the DDA is the ultimate authority for determining the location of the bench as well as the final text on the plaque, and that the bench may be moved at the discretion of the DDA.

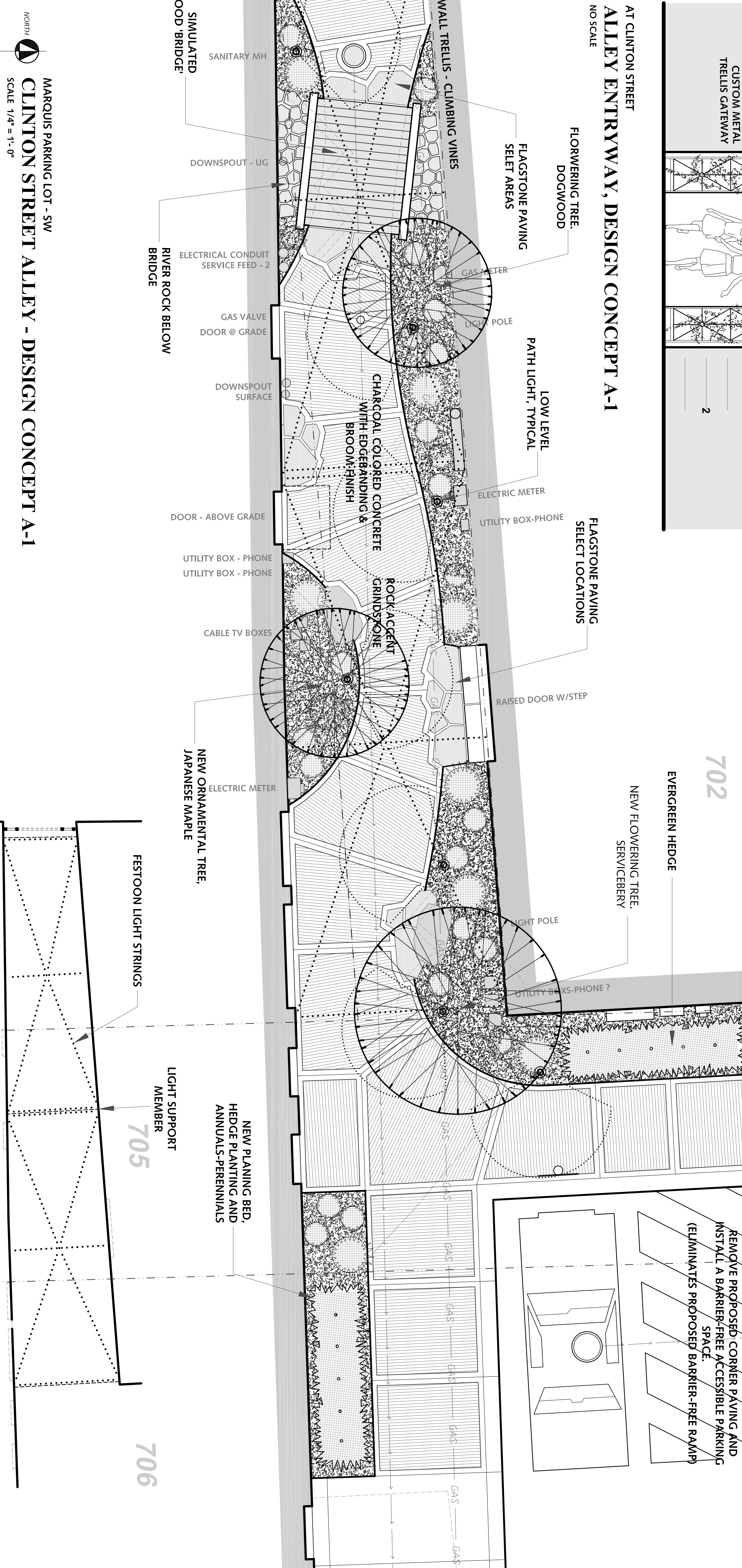
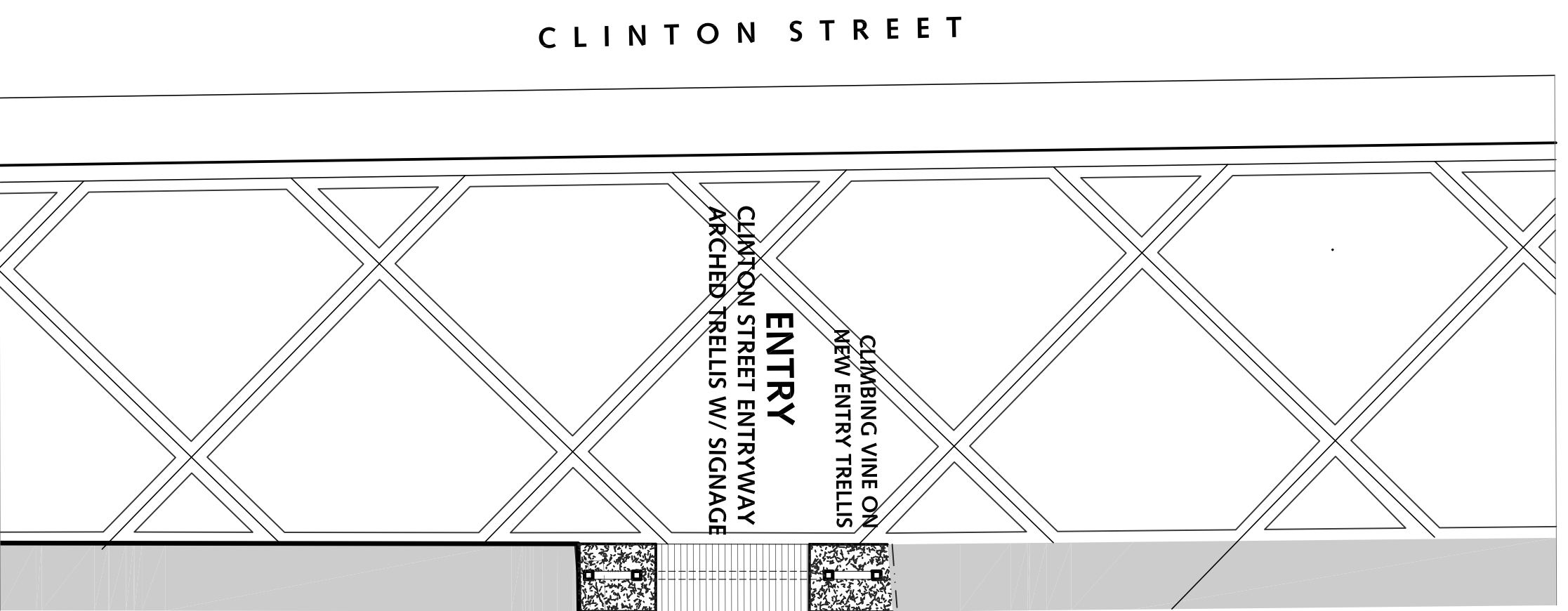
Signature: _____ Date: _____



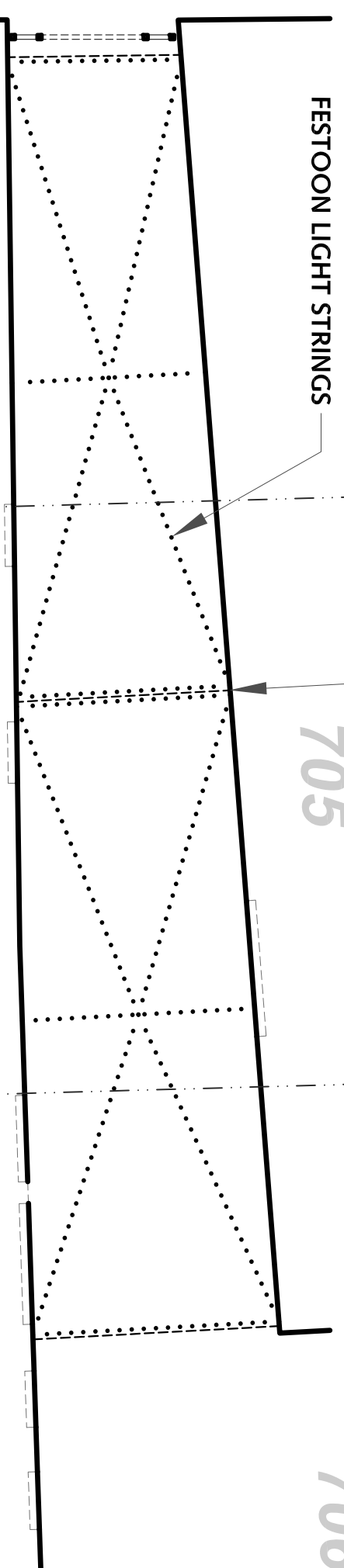
ALLEY - VIEW LOOKING WEST



ALLEY - VIEW LOOKING EAST



MARQUIS PARKING LOT - SW
CLINTON STREET ALLEY - DESIGN CONCEPT A-1
SCALE 1/4" = 1'-0"



V&S ENGINEERING & ARCHITECTURE
4275 BAYVIEW AVENUE
TOLL FREE: (800) 403-3460
TELEPHONE: (734) 403-3460
FAX: (734) 403-3813

COOPER DESIGN

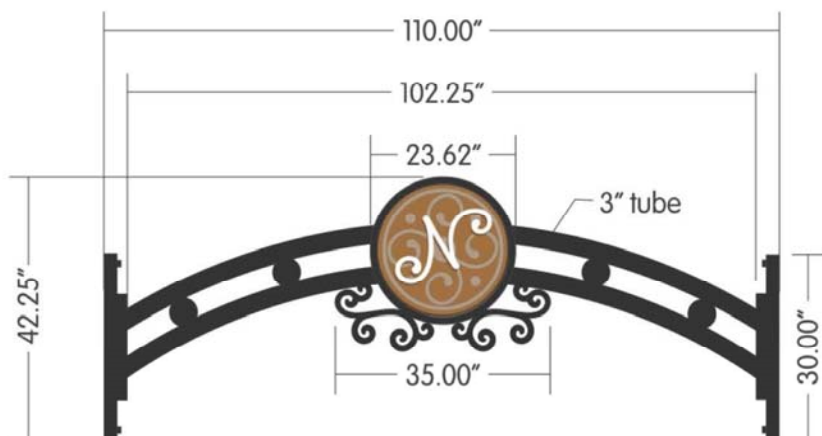
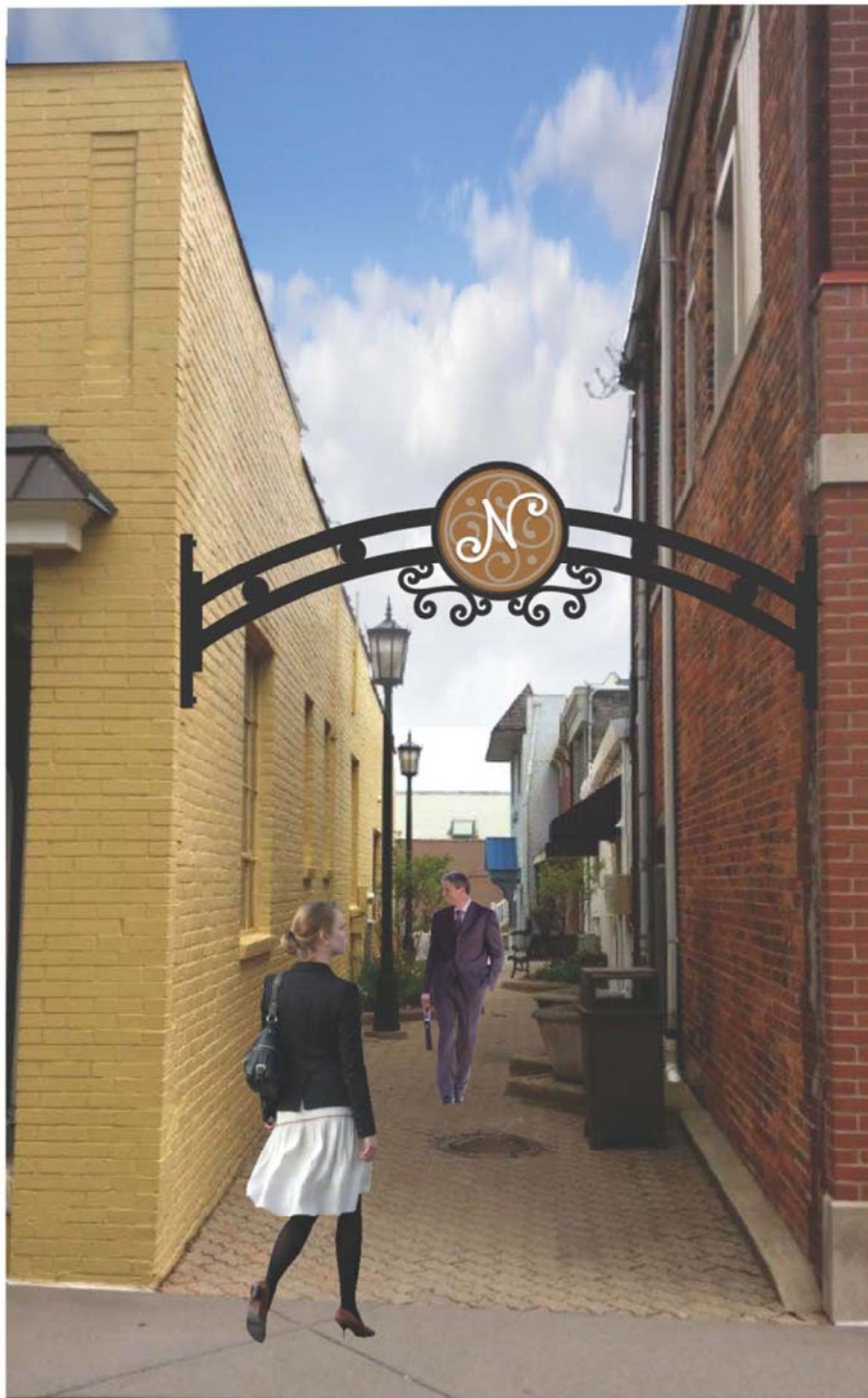
2000 Rockman Boulevard
Ann Arbor, Michigan 48104
734.761.3007 voice
734.761.3008 fax
info@cooperdesigninc.com

125 East Main Street Walkthru
Comerica Community Connection
Adaptive Reuse
CITY OF NORTHVILLE
NORTHVILLE
DOWNTOWN DEVELOPMENT AUTHORITY
215 West Main Street
Northville, MI 48167
248.629.5000 ext 206

Project: 09016.02
Sheet Title: PROPOSED CLINTON STREET ALLEY CONCEPT A-1

Scale: AS SHOWN
Drawn By: GLC
Issued For: 04.08.13 DESIGN COMMITTEE REVIEW

Revisions:



Dimensional logo



Side View



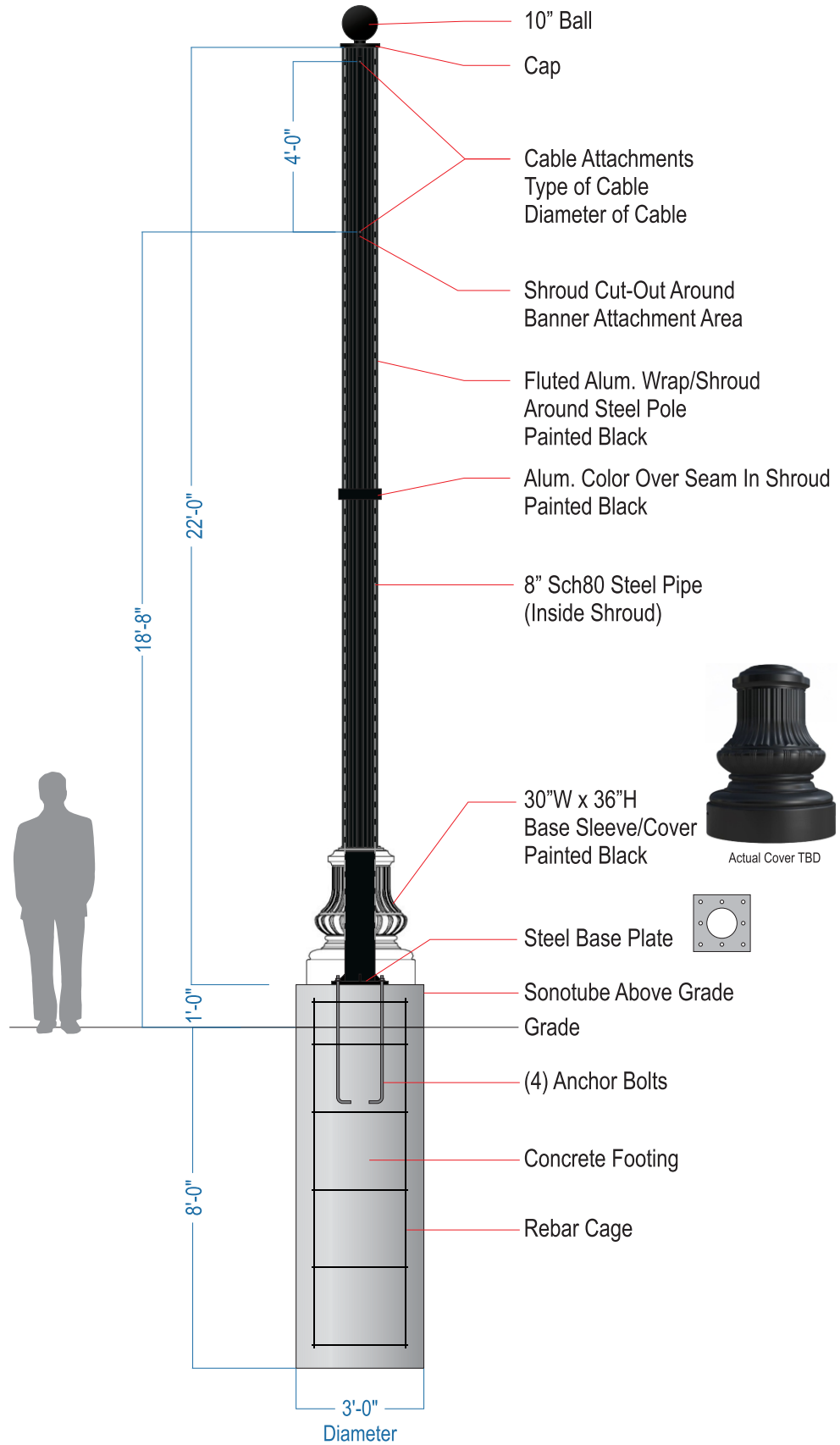
Large Alley Archway REV 06-09-15

Northville



ORIGINAL ARTWORK, DESIGNS & LAYOUTS ARE THE SOLE PROPERTY OF SIGNS BY CRANNIE AND MAY NOT BE REPRODUCED, DISPLAYED, TRANSMITTED TO ANYONE, IN FULL OR IN PART WITHOUT THE WRITTEN CONSENT OF SIGNS BY CRANNIE.





X

Signature for approval of artwork - Proceed to production as shown