

Northville DDA Design Committee Meeting
Monday, August 23, 2021, – 8:30 am Via Zoom



Join Zoom Meeting: <https://us02web.zoom.us/j/88628537736>

Meeting ID: **886 2853 7736**

Join by Mobile: **1-312-626-6799**

Meeting Agenda

1. Social District – (Attachment 1)
 - A. Road Closures
 - i. New Signage
 - ii. Metal Barricades
 - iii. Other Alternatives
 - B. Entranceway Designs
 - i. Welcome Banners
 - ii. Flowers
 - iii. Other Alternatives (Attachment 1.B.iii)
 - C. Fans
 - D. Winterize and Decorate Pods/Stand
 - E. Overhead Lighting
2. Winter Market – Suzie Cozart
3. Murals
4. Next Meeting - September 13, 2021
5. Adjourned



August Design Committee Updates

Pods and Stands



New food vendors have begun to utilize the Town Square Stands for food sales on the weekend. Derek Blair, owner of Northville Gallery in partnership with the Northville Rotary sponsored the purchase and installation of new wall mounted fans in each of the Pods and Stands. The fans were approximately \$100/each and there are 10 Pods/Stands for a total of \$1,250. The pods already have outlets in them, so once wall mounted, the fans can be plugged in to our time limited outlets.

New water barrier banners were created, welcoming the public to Downtown Northville and were installed at the four major entrances to the Downtown Social District. The banners covered up the orange water barricades and provide a more welcoming entrance to the Social District. The cost of the banners totaled \$2,680 and the funds were provided by Northville Gallery.

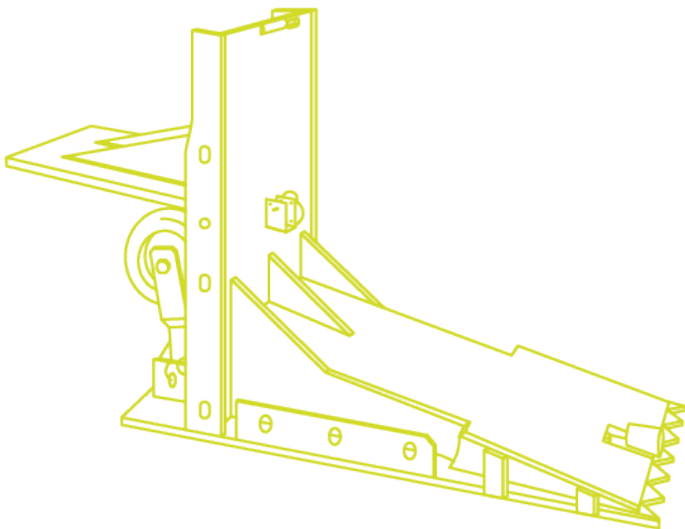


At its July meeting, the Northville DDA Board allocated \$8,000 for entranceway improvements. To date all of the improvements have been made with outside sponsorships, freeing up the funds to be used on other barricades and improvements.

Hard Barricades:

The DDA consulted with City Engineers Fleis & Vanden Brink on what signage and materials were required with Road Closures. F & V replied that only one type 3 barricade is required at each intersection with the current signage. DPW provided newer, more attractive signage and barricades for the entranceways and the DDA split the cost of the signage with DPW that can be used for other events and projects in the future. No additional signage is required and no flashing lights are required. They made some minor suggestions on a type of barricade that could be used to replace the police cars.

In addition, Fleis & Vanden Brink suggested adding barriers to replace the police cars and that can be moved when needed by tipping the units on the side and moving them like a dolly. <https://www.betterbarriers.com/products/archer-1200/> A demonstration of the product is scheduled for August 24th to view the products in action. An estimate has been obtained from Meridian Rapid Defense Group. To purchase 4 barriers (2 for Main and 2 for Center) totals \$33,821. To rent the same units would be \$3,000 per month. DDA staff is continuing to look for alternative.



Winter Market:

A planning meeting was held this week to discuss hosting a winter event this year. Lots of ideas were generated and will be discussed at the Design Committee's August 23rd meeting. The Winter Market group will be led by Suzie Cozart.

Tivoli Lighting:

At the DDA's July meeting the topic of installing overhead Tivoli lighting was discussed. DDA staff reached out to two vendors for estimates. Green Electric who has worked on the DDA's Tivoli lights previously provided an estimate of \$115,000 for Main Street. This estimate did not include the cost of anchoring in the connection points nor obtaining easements from all of the property owners. Begonia Brothers has been unable to secure the lights and provide the estimate. The Winter Market Planning Group discussed the idea of just outlining the buildings alone Main and Center similar to 120 W. Main. This would address the City Administrations concerns over attaching the cable system to the façade of the historic buildings. This year alone several buildings have had to be repaired when masonry or mortar failed on the historic district. Staff has asked Green Electric and Begonia Brothers to provide a new estimate for this work.

NORTHVILLE – STREET CLOSURES

Attachment 1.B.iii

